

# SIMMONS®

## DA200S AMPLIFIER USER'S MANUAL



#### FCC Statements

1. Caution: Changes or modifications to this unit not expressly approved by the party responsible for compliance could void the user's authority to operate the equipment.
  
2. Note: This equipment has been tested and found to comply with the limits for a Class B digital device, pursuant to Part 15 of the FCC Rules. These limits are designed to provide reasonable protection against harmful interference in a residential installation. This equipment generates, uses, and can radiate radio frequency energy and, if not installed and used in accordance with the instructions, may cause harmful interference to radio communications. However, there is no guarantee that interference will not occur in a particular installation. If this equipment does cause harmful interference to radio or television reception, which can be determined by turning the equipment off and on, the user is encouraged to try to correct the interference by one or more of the following measures:
  - Reorient or relocate the receiving antenna.
  - Increase the separation between the equipment and receiver.
  - Connect the equipment into an outlet on a circuit different from that to which the receiver is connected.
  - Consult the dealer or an experienced radio/TV technician for help.

#### Manufacturer:

Simmons  
P.O. Box 5111  
Thousand Oaks, CA 91359-5111

#### Importer:

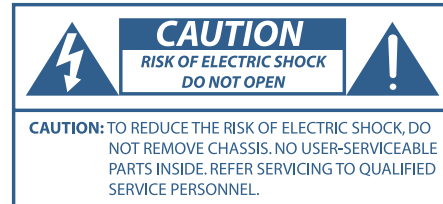
Musikhaus Thomann  
Treppendorf 30  
96138 Burgebrach  
Germany  
[www.thomann.de](http://www.thomann.de)

# IMPORTANT SAFETY INSTRUCTIONS

Exposure to high noise levels may cause permanent hearing loss. Individuals vary considerably to noise-induced hearing loss but nearly everyone will lose some hearing if exposed to sufficiently intense noise over time.

The U.S. Government's Occupational Safety and Health Administration (OSHA) has specified the following permissible noise level exposures:

DURATION PER DAY (HOURS)	8	6	4	3	2	1
SOUND LEVEL (dB)	90	93	95	97	100	103



According to OSHA, any exposure in the above permissible limits could result in some hearing loss. Hearing protection must be worn when operating this amplification system in order to prevent permanent hearing loss.



This symbol is intended to alert the user to the presence of non-insulated "dangerous voltage" within the products enclosure.



This symbol is intended to alert the user to the presence of important operating and maintenance (servicing) instructions in the literature accompanying the unit.



Apparatus shall not be exposed to dripping or splashing. Objects filled with liquids, such as vases, shall not be placed on the apparatus.

1. Read all safety and operating instructions before using this product.
2. All safety and operating instructions should be kept for future reference.
3. Read and understand all warnings listed on the operating instructions.
4. Follow all operating instructions to operate this product.
5. This product should not be used near water, i.e., bathtub, sink, swimming pool, wet basement, etc.
6. Only use dry cloth to clean this product.
7. Do not block any ventilation openings, it should not be placed flat against a wall or placed in a built-in enclosure that will impede the flow of cooling air.
8. Do not install this product near any heat sources such as radiators, heat registers, stoves or other apparatus (including amplifiers) that produce heat.
9. Do not defeat the safety purpose of the polarized or grounding-type plug. A polarized plug has two blades with one wider than the other. A grounding-type plug has two blades and a third grounding prong. The wide blade or the third prong are provided for your safety. If the provided plug does not fit into your outlet, consult an electrician for replacement of the obsolete outlet.
10. Protect the power cord from being walked on or pinched, particularly at plugs, convenience receptacles, and the point where they exit from the apparatus. Do not break the ground pin of the power supply cord.
11. Only use attachments specified by the manufacturer.
12. Use only with the cart, stand, tripod, bracket, or table specified by the manufacturer or sold with the apparatus. When a cart is used, exercise caution when moving.
13. Unplug this apparatus during lightning storms or when unused for a long period of time.
14. Care should be taken so that objects do not fall and liquids are not spilled into the unit through the ventilation ports or any other openings.
15. Refer all servicing to qualified service personnel. Servicing is required when the apparatus has been damaged in any way.
16. **WARNING:** To reduce the risk of fire or electric shock, do not expose this apparatus to rain or moisture.
17. When a mains plug or an appliance coupler is used as the disconnect device, the disconnect device shall remain readily operable.



# TABLE OF CONTENTS

<b>Important Safety Instructions</b>	1
<b>Welcome and Congratulations</b>	3
<b>Features</b>	4
<b>Front Panel</b>	5
<b>Back Panel</b>	6
<b>Specifications</b>	7
<b>DA200S Signal Flow Diagram</b>	8

## Disposal

Do not dispose of the device at the end of his operating life in your normal domestic waste. This device is subject to the European Guidelines 2002/96/EC.

Have the product disposed of by a professional disposal company or by your communal disposal facility.

Observe the currently applicable regulations. In case of doubt contact your disposal facility.

Dispose of packaging materials in an environmentally responsible manner.



# WELCOME AND CONGRATULATIONS!

**... on your purchase of the Simmons DA200S Electronic Drum Amplifier. To get the most enjoyment, we recommend that you review this manual at least once, then refer back to it often to learn more about specific functions.**

## Taking Care of Your Digital Drum Amplifier

### Location

- To avoid deformation, discoloration, or more serious damage, do not expose the unit to direct sunlight, high temperature sources, or excessive humidity.

### Power Supply

- Turn the power switch off when the DA200S is not in use.
- The AC plug should be unplugged from the AC outlet if the DA200S will not be used for an extended period of time.
- Avoid plugging the AC cable into an AC outlet that is also powering high-consumption appliances such as electric heaters or televisions. Also avoid using multi plug adapters since these can reduce sound quality, cause operation errors, and result in possible damage.
- To avoid damage, turn off the DA200S's power switch and all related devices prior to connecting or disconnecting cables.

### Handling and Transport

- Never apply excessive force to any parts.
- Unplug cables by gripping the plugs firmly. Do not pull on cables.
- Physical shocks caused by dropping or bumping can result in serious damage to the unit.

### Cleaning

- Clean with a dry, soft cloth.
- A slightly damp cloth may be used to remove stubborn grime and dirt.
- Never use cleaners such as alcohol or thinner.

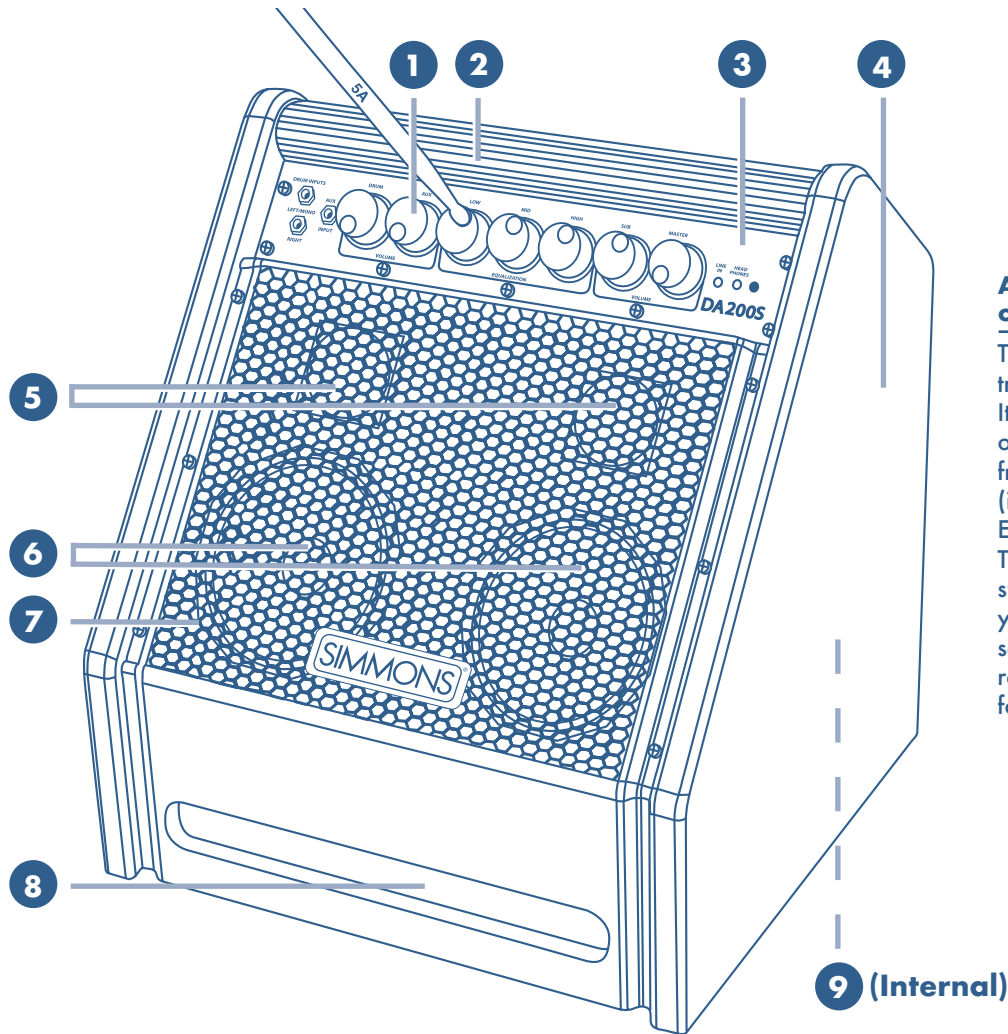
### Electrical Interference

- The DA200S contains electronic circuitry that may cause interference if placed too close to radio or television receivers. If this occurs, move the DA200S further away from the affected equipment.

### Service and Modification

- There are no user serviceable parts in the DA200S.
- Do not attempt to open the DA200S or make any change to circuits or parts. This will void the warranty.

# FEATURES

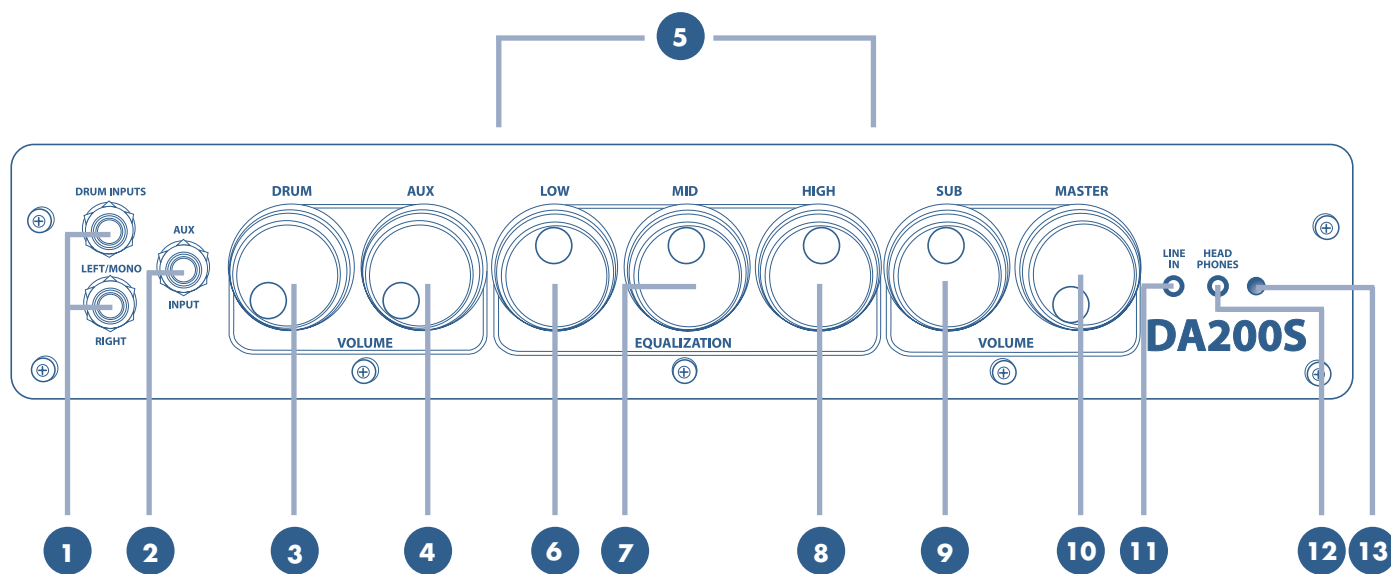


### **A Note on Stereo Imaging**

The Simmons DA200S is a true stereo drum amplifier. It will maintain the integrity of the stereo drum signal from input to speakers (including Line Outs and Extension Speaker Jacks). This provides a broad stereo field that positions your drums at their correct sonic locations, providing a realistic audio experience for you and your audience.

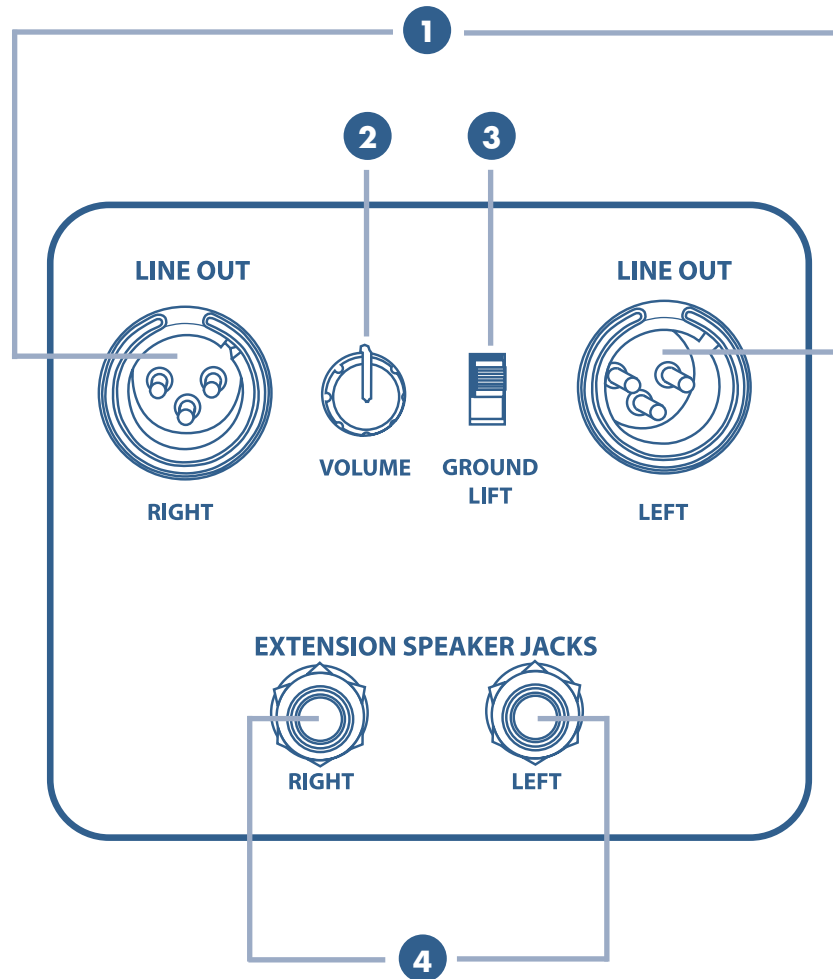
- 1 Soft Touch Knobs (adjustable with your drum stick)**
- 2 Ribbed Handle for Easy Transport**
- 3 Control Panel**
- 4 Protective, Long-Lasting Carpet Covering**
- 5 High-Frequency Tweeters for Cymbal Clarity**
- 6 Heavy-Duty Midrange Speakers for Punchy Mid-Frequency Response**
- 7 Heavy-Weight Steel Grille**
- 8 Slot-Port for Enhanced Cabinet Efficiency & Bottom End Projection**
- 9 Heavy-Duty 12" Down-Firing Sub-Woofer for Enhanced Bass Response (Internal)**

## FRONT PANEL



- 1 Drum Inputs:** These are 1/4" input jacks (left and right). When using a mono signal, plug into the Left/Mono Jack.
- 2 Aux Input:** This 1/4" stereo jack is used for connecting any pre-EQ source such as a click track, additional digital instruments, devices, drum pad MPC machines, etc. The volume of the Aux Input is controlled by the Aux Volume control.
- 3 Drum Volume:** This controls the volume level of the Drum Inputs to the power amplifier.
- 4 Aux Volume:** This controls the volume level of the Aux Input.
- 5 Equalization Section:** These control the overall tone of the DA200S drum amplifier.
- 6 Low:** This controls frequencies centered at 50Hz with a +/-12 dB sweep.
- 7 Mid:** This controls frequencies centered at 800Hz with a +/-12 dB sweep.
- 8 High:** This controls frequencies centered at 10 kHz with a +/-12 dB sweep.
- 9 Sub:** This controls the volume of the low frequency sub-woofer.
- 10 Master:** This controls the overall volume of the amplifier
- 11 Line In:** This is a 1/8" stereo line input. It bypasses the EQ tone controls and feeds straight into the power amplifier, perfect for CD or MP3 players. Use the volume and tone controls on your external device to control the audio signal.
- 12 Headphone Jack:** This is a 1/8" stereo output jack. It combines all inputs from your drums, Aux Input, and Line In. Use it to monitor your drums during live performances. It will turn off internal speakers, but will not affect signal outputs.
- 13 Power "On" Indicator**

# BACK PANEL



**1 Left and Right Line Outs:** These balanced XLR Line Outs provide quiet, noise-free signal flow through a standard mic cable or snake to a recording or live console.

**2 Volume Control for Line Outs:** This control is completely independent from the Master volume on the front panel, allowing you to set your feed level to a mixing console. Use the Master volume on the front panel to adjust your stage level.

**3 Ground Lift:** Use this switch to eliminate hum or buzz that may exist if there is a ground loop created between stage gear and the PA system.

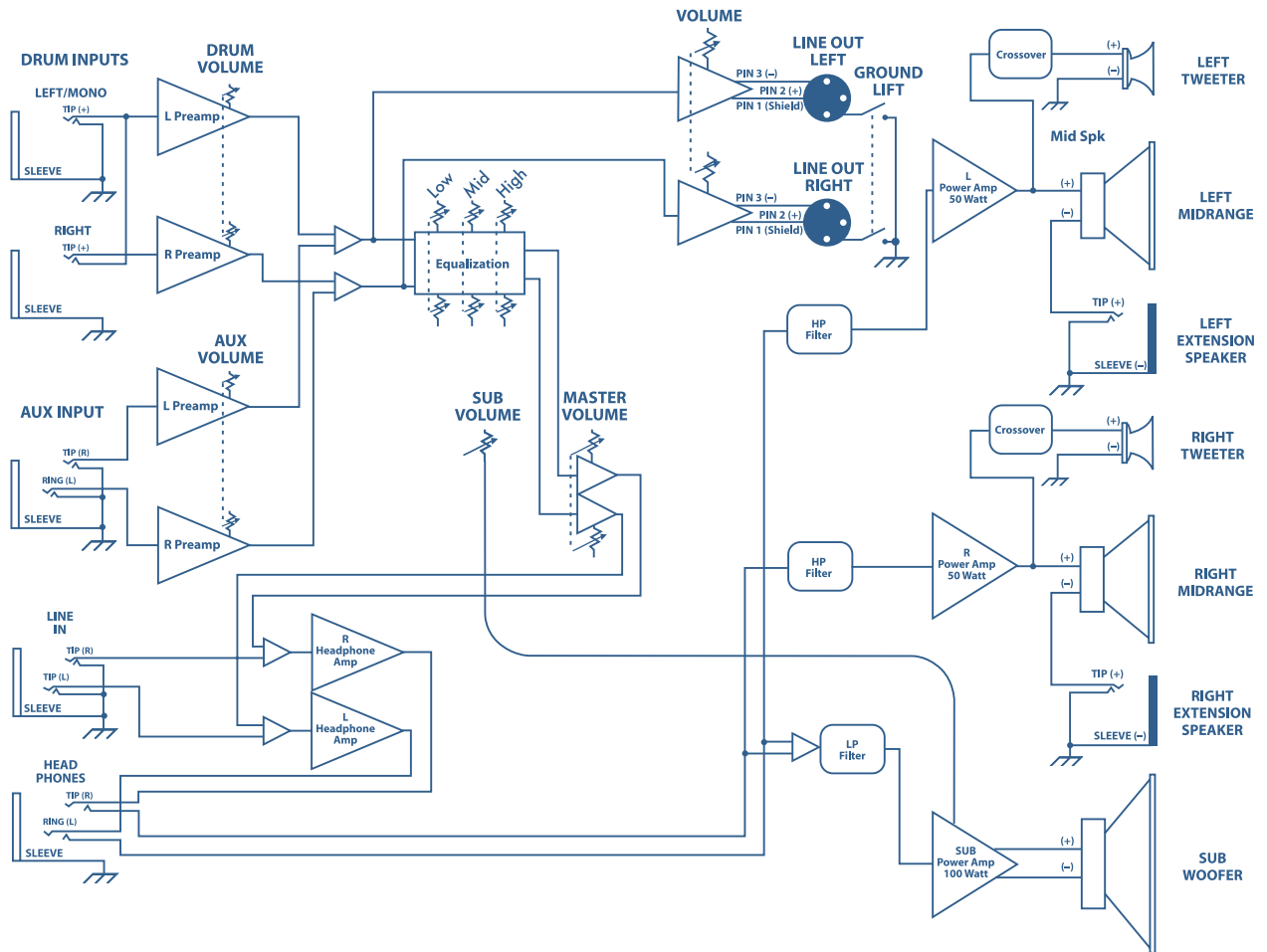
**4 Extension Speakers Jacks:** The DA200S delivers the full 200 watts of power to the internal speakers. In addition, you may use these jacks with un-powered speakers to widen your stereo field for the midrange and high frequencies.



# SPECIFICATIONS

Model	DA200S	Electronic Drum Amp
<b>Output Power (RMS 1% )</b>	50 Watts @ 8 Ohms (x2) 50 Watts @ 4 Ohms (x2) 100 Watts @ 8 Ohms (x1) 500 mWatts @ 32 Ohms (x2)	Tweeter Internal Speakers (Stereo) Midrange Internal Speakers (Stereo) Subwoofer Internal Speaker (Mono) Output to Headphones (Stereo)
<b>Frequency Response</b>	20 Hz - 20 kHz	Tailored for accurate acoustic response for electronic drums
<b>Hum and Noise</b>	-60 dBV -55 dBV	All controls turned down All controls turned halfway
<b>Input Impedance</b>	10K Ohms	All Inputs
<b>Input Levels</b>	-16 dBV -20 dBV -10 dBV	Drum Inputs to achieve full output Aux to achieve full output Line In to achieve full output
<b>External Outputs</b> (All measurements made at 1 kHz, EQ controls flat and volumes Max.)	Max External Speaker Output: 30 Watts (x2)  XLR Balanced Line Outputs	Extension Speaker Jacks are wired in series with internal midrange speakers.  Adjustable from off (CCW) to 0 dBV (CW). Wiring follows IEC268 standard (pin 1 shield, 2 +, and 3 -).
<b>Tone controls (EQ Centers)</b>	50 Hz, 800 Hz, 10 kHz	3 band, +/- 12 dB
<b>AC Power Requirements</b>	400 Watts 14 Watts	At full output At idle
<b>Speakers</b>	12" (305 mm) Woofer 2 x 6.5" (165 mm) Midrange 2 x 2.5" (64 mm) Tweeter	Special design, 8 Ohms rated 150 Watts RMS Special design, 4 Ohms rated 65 Watts RMS Special design, 8 Ohms bullet horn rated 50 Watts RMS
<b>Dimensions (English)</b>	16 1/2" Deep, 17 3/4" Wide, 20" Tall (including feet)	
<b>Dimensions (Metric)</b>	420 cm Deep, 450 cm Wide, 508 cm Tall (including feet)	
<b>Weight</b>	57 lbs./25.8 Kg.	

# DA2005 SIGNAL FLOW DIAGRAM



Three (3) Year Limited Warranty

Subject to the limitations set forth below, Simmons® hereby represents and warrants that the components of this product shall be free from defects in workmanship and materials, including implied warranties of merchantability or fitness for a particular purpose, subject to normal use and service, for three (3) years to the original owner from the date of purchase.

Retailer and manufacturer shall not be liable for damages based upon inconvenience, loss of use of product, loss of time, interrupted operation or commercial loss or any other incidental or consequential damages including but not limited to lost profits, downtime, goodwill, damage to or replacement of equipment and property, and any costs of recovering, reprogramming, or reproducing any program or data stored in equipment that is used with Simmons® products. This guarantee gives you specific legal rights. You may have other legal rights which vary from state to state. Some states do not allow limitations on how long an implied warranty lasts, so the above limitation may not apply to you.

Simmons  
P.O. Box 5111  
Thousand Oaks, CA 91359-5111

All trademarks and registered trademarks mentioned herein are recognized as the property of their respective holders.  
Made in China. 0708-7899

**SIMMONS**<sup>®</sup>

[WWW.SIMMONSDRUMS.NET](http://WWW.SIMMONSDRUMS.NET)