

# SIMMONS™

## DA50 DRUM AMPLIFIER USER MANUAL



[WWW.SIMMONSDRUMS.NET](http://WWW.SIMMONSDRUMS.NET)

#### FCC Statements

1. Caution: Changes or modifications to this unit not expressly approved by the party responsible for compliance could void the user's authority to operate the equipment.
  
2. Note: This equipment has been tested and found to comply with the limits for a Class B digital device, pursuant to Part 15 of the FCC Rules. These limits are designed to provide reasonable protection against harmful interference in a residential installation. This equipment generates, uses, and can radiate radio frequency energy and, if not installed and used in accordance with the instructions, may cause harmful interference to radio communications. However, there is no guarantee that interference will not occur in a particular installation. If this equipment does cause harmful interference to radio or television reception, which can be determined by turning the equipment off and on, the user is encouraged to try to correct the interference by one or more of the following measures:
  - Reorient or relocate the receiving antenna.
  - Increase the separation between the equipment and receiver.
  - Connect the equipment into an outlet on a circuit different from that to which the receiver is connected.
  - Consult the dealer or an experienced radio/TV technician for help.

#### Three (3) Year Limited Warranty

Subject to the limitations set forth below, Simmons™ hereby represents and warrants that the components of this product shall be free from defects in workmanship and materials, including implied warranties of merchantability or fitness for a particular purpose, subject to normal use and service, for three (3) years to the original owner from the date of purchase.

Retailer and manufacturer shall not be liable for damages based upon inconvenience, loss of use of product, loss of time, interrupted operation or commercial loss or any other incidental or consequential damages including but not limited to lost profits, downtime, goodwill, damage to or replacement of equipment and property, and any costs of recovering, reprogramming, or reproducing any program or data stored in equipment that is used with Simmons™ products. This guarantee gives you specific legal rights; you may have other legal rights which vary from state to state. Some states do not allow limitations on how long an implied warranty lasts, so the above limitation may not apply to you.

Simmons  
P.O. Box 5111  
Thousand Oaks, CA 91359-5111

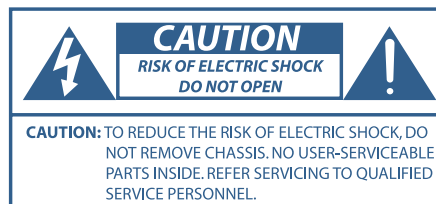
All trademarks and registered trademarks mentioned herein are recognized as the property of their respective holders.  
Made in China. 0507-7896

# SAFETY INSTRUCTIONS

Exposure to high noise levels may cause permanent hearing loss. Individuals vary considerably to noise-induced hearing loss but nearly everyone will lose some hearing if exposed to sufficiently intense noise over time.

The U.S. Government's Occupational Safety and Health Administration (OSHA) has specified the following permissible noise level exposures:

DURATION PER DAY (HOURS)	8	6	4	3	2	1
SOUND LEVEL (dB)	90	93	95	97	100	103



According to OSHA, any exposure in the above permissible limits could result in some hearing loss. Hearing protection must be worn when operating this amplification system in order to prevent permanent hearing loss.



This symbol is intended to alert the user to the presence of non-insulated "dangerous voltage" within the products enclosure.



This symbol is intended to alert the user to the presence of important operating and maintenance (servicing) instructions in the literature accompanying the unit.



Apparatus shall not be exposed to dripping or splashing. Objects filled with liquids, such as vases, shall not be placed on the apparatus.

1. Read all safety and operating instructions before using this product.
2. All safety and operating instructions should be kept for future reference.
3. Read and understand all warnings listed on the operating instructions.
4. Follow all operating instructions to operate this product.
5. This product should not be used near water, i.e., bathtub, sink, swimming pool, wet basement, etc.
6. Only use dry cloth to clean this product.
7. Do not block any ventilation openings, it should not be placed flat against a wall or placed in a built-in enclosure that will impede the flow of cooling air.
8. Do not install this product near any heat sources such as radiators, heat registers, stoves or other apparatus (including amplifiers) that produce heat.
9. Do not defeat the safety purpose of the polarized or grounding-type plug. A polarized plug has two blades with one wider than the other. A grounding-type plug has two blades and a third grounding prong. The wide blade or the third prong are provided for your safety. If the provided plug does not fit into your outlet, consult an electrician for replacement of the obsolete outlet.
10. Protect the power cord from being walked on or pinched, particularly at plugs, convenience receptacles, and the point where they exit from the apparatus. Do not break the ground pin of the power supply cord.
11. Only use attachments specified by the manufacturer.
12. Use only with the cart, stand, tripod, bracket, or table specified by the manufacturer or sold with the apparatus. When a cart is used, exercise caution when moving.
13. Unplug this apparatus during lightning storms or when unused for a long period of time.
14. Care should be taken so that objects do not fall and liquids are not spilled into the unit through the ventilation ports or any other openings.
15. Refer all servicing to qualified service personnel. Servicing is required when the apparatus has been damaged in any way.
16. **WARNING:** To reduce the risk of fire or electric shock, do not expose this apparatus to rain or moisture.
17. When a mains plug or an appliance coupler is used as the disconnect device, the disconnect device shall remain readily operable.



# TABLE OF CONTENTS

<b>Safety Instructions</b>	_____	<b>1</b>
<b>Welcome</b>	_____	<b>3</b>
<b>Front Panel</b>	_____	<b>4</b>
<b>Features</b>	_____	<b>5</b>
<b>Specifications</b>	_____	<b>Back Cover</b>
<b>Signal Flow Diagram</b>	_____	<b>Back Cover</b>

# WELCOME AND CONGRATULATIONS!

**... on your purchase of the Simmons DA50 Electronic Drum Amplifier. To get the most enjoyment, we recommend that you review this manual at least once, then refer back to it often to learn more about specific functions.**

## Taking Care of Your Digital Drum Amplifier

### Location

- To avoid deformation, discoloration, or more serious damage, do not expose the unit to direct sunlight, high temperature sources, or excessive humidity.

### Power Supply

- Turn the power switch off when the DA50 is not in use.
- The AC adapter should be unplugged from the AC outlet if the DA50 will not be used for an extended period of time.
- Avoid plugging the AC adapter into an AC outlet that is also powering high-consumption appliances such as electric heaters or televisions. Also avoid using multi plug adapters since these can reduce sound quality, cause operation errors, and result in possible damage.
- To avoid damage, turn off the DA50's power switch and all related devices prior to connecting or disconnecting cables.

### Handling and Transport

- Never apply excessive force to controls, connectors, and other parts.
- Unplug cables by gripping the plug firmly. Do not pull on the cable.
- Physical shocks caused by dropping or bumping can result in serious damage.

### Cleaning

- Clean with a dry, soft cloth.
- A slightly damp cloth may be used to remove stubborn grime and dirt.
- Never use cleaners such as alcohol or thinner.

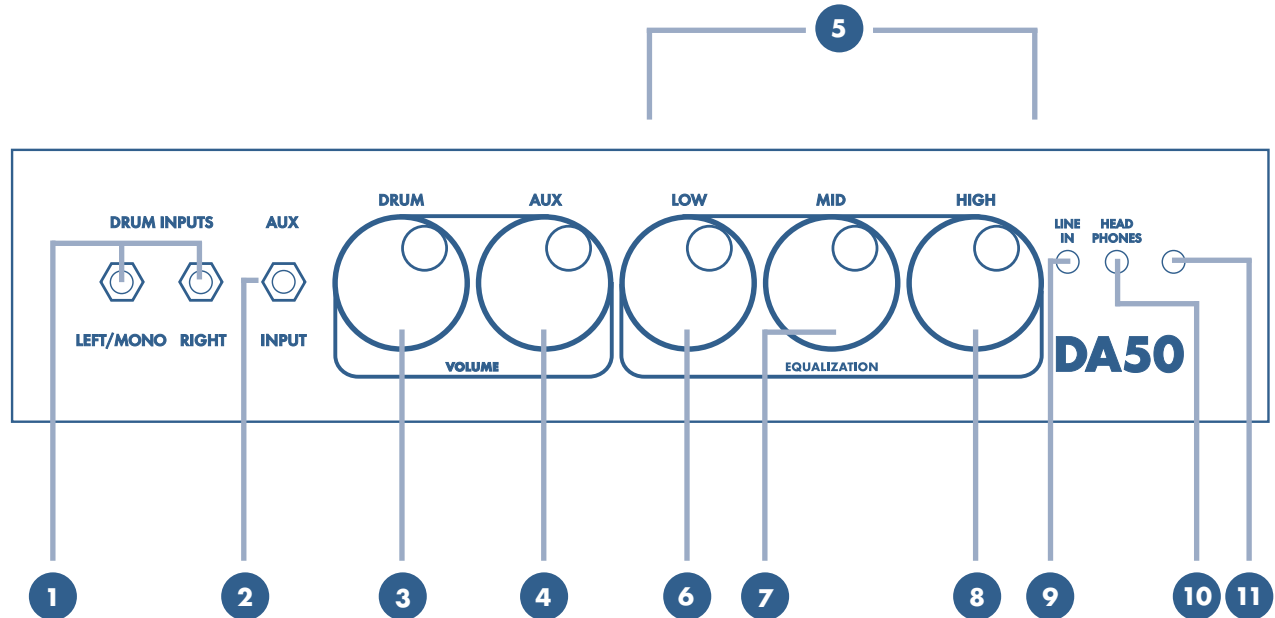
### Electrical Interference

- The DA50 contains electronic circuitry that may cause interference if placed too close to radio or television receivers. If this occurs, move the DA50 further away from the affected equipment.

### Service and Modification

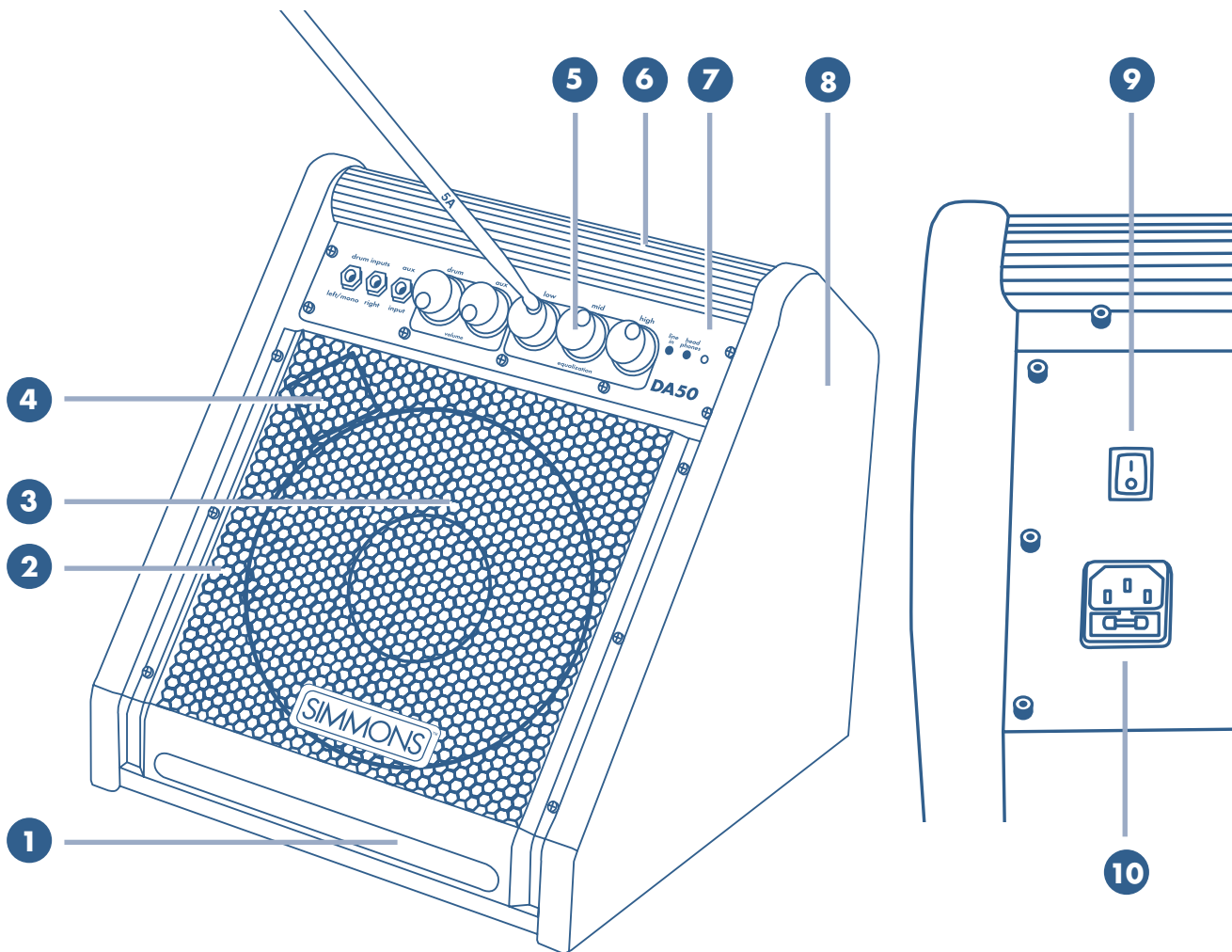
- There are no user serviceable parts in the DA50.
- Do not attempt to open the DA50 or make any change to circuits or parts. This will void the warranty.

## FRONT PANEL



- 1 Drum Inputs:** These are 1/4" input jacks (left and right). When using a mono signal, plug into the left/mono jack.
- 2 Aux Input:** This jack is used for connecting any pre-EQ source such as a click track. The volume of the Aux Input is controlled by the Aux Volume control.
- 3 Drum Volume:** This controls the volume level of the Drum Inputs to the power amplifier.
- 4 Aux Volume:** This controls the volume level of the Aux Input only.
- 5 Equalization Section:** These control the overall tone of the DA50 drum amplifier.
- 6 Low:** This controls frequencies centered at 60Hz with a +/-12 dB sweep.
- 7 Mid:** This controls frequencies centered at 800Hz with a +/-12 dB sweep.
- 8 High:** This controls frequencies centered at 10 kHz with a +/-12 dB sweep.
- 9 Line In:** This is a 1/8" stereo line input. It bypasses the drum amplifiers EQ tone controls and feeds straight into the power amplifier. Use the volume and tone controls on your external device to control the audio signal.
- 10 Headphone Jack:** This is a 1/8" stereo output jack. When used, it turns off the internal speaker. It combines all inputs from your drums, Aux Input, and Line In for silent practice.
- 11 Power "On" Indicator**

# FEATURES



- 1** Slot-Port for Enhanced Cabinet Efficiency & Bottom End Projection
- 2** Heavy-Weight Steel Grill
- 3** Heavy-Duty Woofer for Enhanced Bass Response
- 4** High-Frequency Tweeter for Cymbal Clarity
- 5** Soft Touch Knobs (adjustable with your drum stick)
- 6** Ribbed Handle for Easy Transport
- 7** Control Panel
- 8** Protective, Long-Lasting Carpet Covering
- 9** Power Switch
- 10** Fuse Holder & Power Cord Socket

# SPECIFICATIONS

Model	DA50	Powered Drum Monitor
<b>Output Power</b>	50W / 8 ohm ..... 500mW / 32 ohm .....	Output to speakers ..... Output to headphones .....
<b>Frequency Response</b>	20 -20KHz .....	Actual response is tailored for accurate acoustic reproduction of individual sounds
<b>Total Harmonic Distortion</b>	1.00% ..... 0.05% .....	At full output ..... Nominal .....
<b>Hum and Noise</b>	-60 dBV ..... -55 dBV .....	All controls down ..... All controls at 12 o'clock .....
<b>Input Impedance</b>	10K ohms .....	All Inputs .....
<b>Input Levels</b> (All measurements made at 1 kHz, EQ controls flat and volumes Max.)	-10 dBV ..... -10 dBV .....	DRUM INPUTS to achieve full output ..... AUX to achieve full output .....
<b>Tone controls (EQ Centers)</b>	60 Hz, 800 Hz, 10 kHz .....	Line In to achieve full output .....
<b>AC Power Requirements</b>	80W ..... 7W .....	3 band, ±12 dBV ..... At full output ..... At idle .....
<b>Dimensions English</b>	15.5" Deep, 15.5" Wide, 16" Tall (including feet)	
<b>Dimensions Metric</b>	39.37cm Deep, 39.37cm Wide, 40.64cm Tall (including feet)	
<b>Weight - Lbs/Metric Speakers</b>	33 lbs/ 15 Kg 1 x 10" (250mm) Woofer, 1 x 2" (51mm) Tweeter	

# SIGNAL FLOW DIAGRAM

