

SIMMONS

DA200SB

200 WATT DRUM AMPLIFIER

OWNER'S MANUAL

TABLE OF CONTENTS

WELCOME AND CONGRATULATIONS!	4
FRONT PANEL	5
BACK PANEL	6
FEATURES	7
SPECIFICATIONS	8
SIGNAL FLOW DIAGRAM	9
WARRANTY	10

WELCOME AND CONGRATULATIONS!

... on your purchase of the Simmons DA200SB Electronic Drum Amplifier. To get the most enjoyment, we recommend that you review this manual at least once, then refer back to it often to learn more about specific functions.

TAKING CARE OF YOUR DIGITAL DRUM AMPLIFIER

Location

- To avoid deformation, discoloration, or more serious damage, do not expose the unit to direct sunlight, high temperature sources, or excessive humidity.

Power Supply

- Turn the power switch off when the DA200SB is not in use.
- The AC adapter should be unplugged from the AC outlet if the DA200SB will not be used for an extended period of time.
- Avoid plugging the AC adapter into an AC outlet that is also powering high-consumption appliances such as electric heaters or televisions. Also avoid using multi plug adapters since these can reduce sound quality, cause operation errors, and result in possible damage.
- To avoid damage, turn off the DA200SB's power switch and all related devices prior to connecting or disconnecting cables.

Handling and Transport

- Never apply excessive force to controls, connectors, and other parts.
- Unplug cables by gripping the plug firmly. Do not pull on the cable.
- Physical shocks caused by dropping or bumping can result in serious damage.

Cleaning

- Clean with a dry, soft cloth.
- A slightly damp cloth may be used to remove stubborn grime and dirt.
- Never use cleaners such as alcohol or thinner.

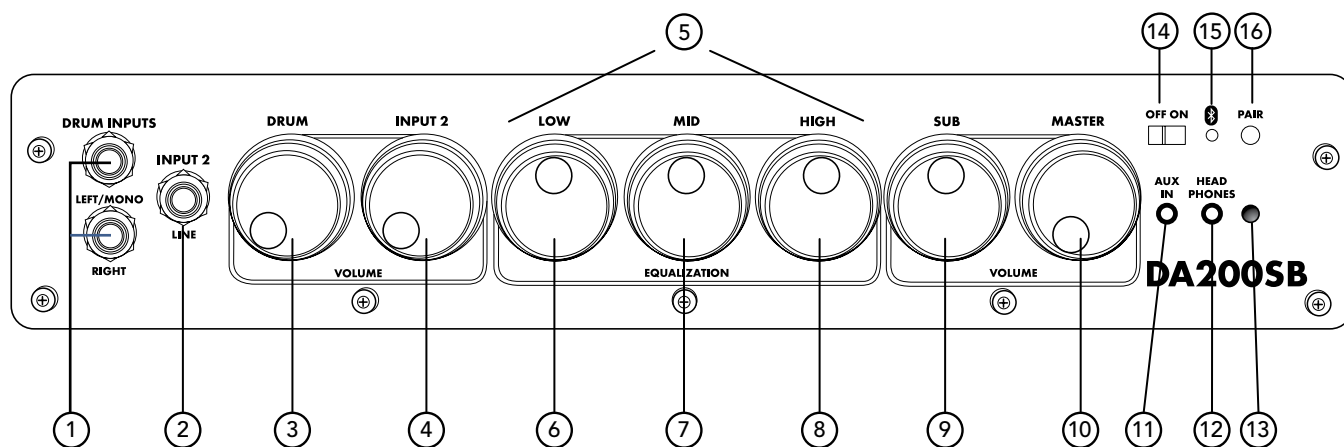
Electrical Interference

- The DA200SB contains electronic circuitry that may cause interference if placed too close to radio or television receivers. If this occurs, move the DA200SB further away from the affected equipment.

Service and Modification

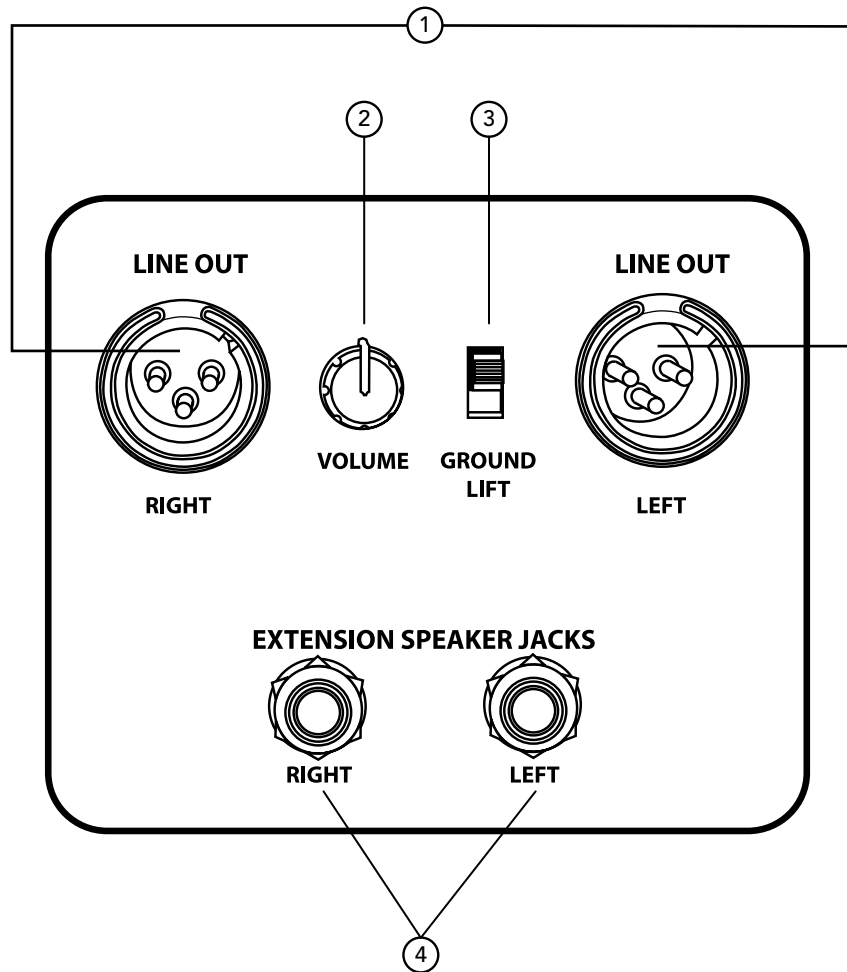
- There are no user serviceable parts in the DA200SB.
- Do not attempt to open the DA200SB or make any change to circuits or parts. This will void the warranty.

FRONT PANEL



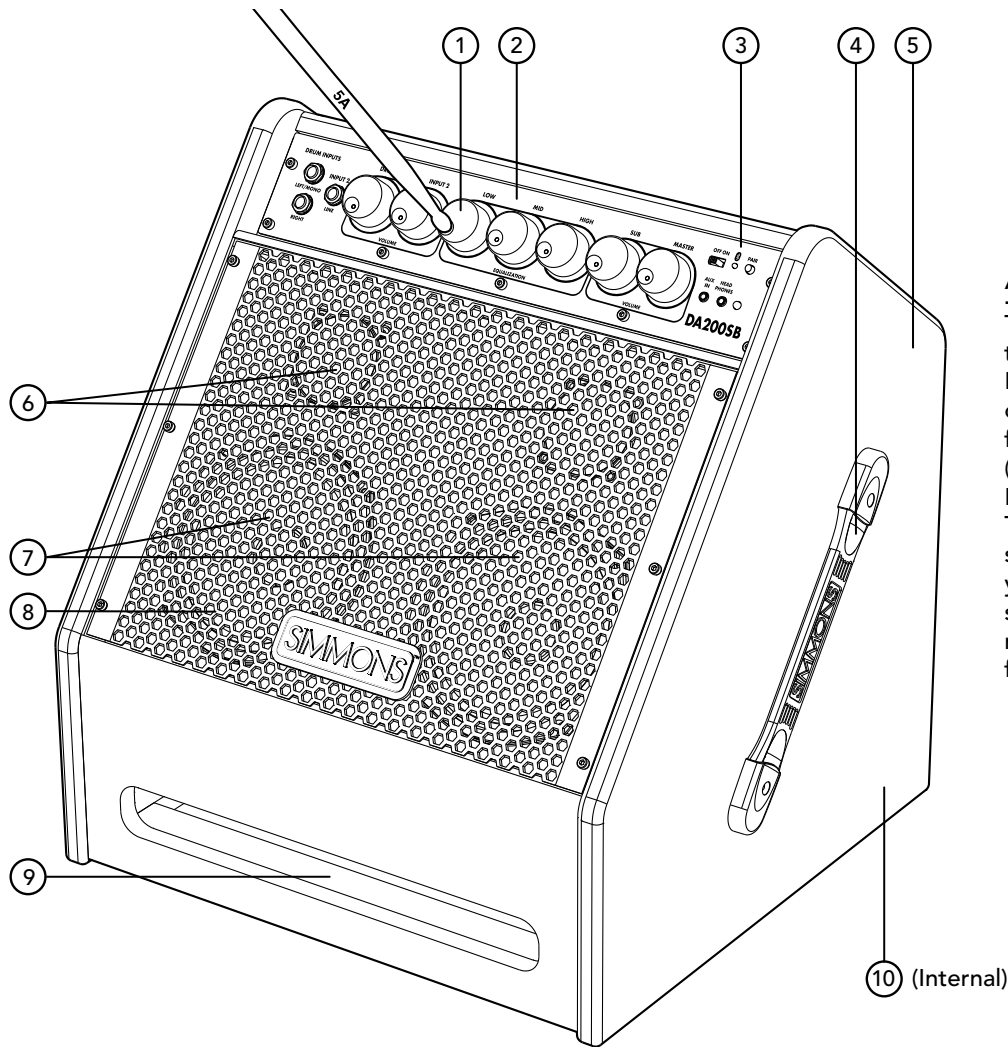
1. Drum Inputs: These are 1/4" input jacks (left and right). When using a mono signal, plug into the Left/Mono Jack.
2. Input 2: This 1/4" stereo jack is used for connecting any pre-EQ source such as a click track, additional digital instruments, devices, drum pad MPC machines, etc. The volume of Input 2 is controlled by the Input 2 Volume control.
3. Drum Volume: This controls the volume level of the Drum Inputs to the power amplifier.
4. Input 2 Volume: This controls the volume level of Input 2.
5. Equalization Section: These control the overall tone of the DA200SB drum amplifier.
6. Low: This controls frequencies centered at 50Hz with a +/-12 dB sweep.
7. Mid: This controls frequencies centered at 800Hz with a +/-12 dB sweep.
8. High: This controls frequencies centered at 10 kHz with a +/-12 dB sweep.
9. Sub: This controls the volume of the low frequency sub-woofer
10. Master: This controls the overall volume of the amplifier.
11. Aux In: This is a 1/8" stereo line input, perfect for CD or MP3 players.
12. Headphone Jack: This is a 1/8" stereo output jack. It combines all inputs from your drums, Input 2, Aux Input, and Bluetooth Input. Use it to monitor your drums during live performances. It will turn off internal speakers, but will not affect Line Outs.
13. Power "On" Indicator.
14. Bluetooth On/Off Switch.
15. Bluetooth Indicator: Fast Blink- Amp is powered on, Bluetooth switch is ON and no Bluetooth source device is connected. Slow Blink- Ready to pair, after pair button is held. Solid Light- Bluetooth source is connected.
16. Bluetooth Pair Button: Press and hold this button to pair a new device. Open Bluetooth preferences on your device and select "Simmons" to pair.

BACK PANEL



1. Left and Right Line Outs: These balanced XLR Line Outs provide quiet, noise-free signal flow through a standard mic cable or snake to a recording or live console.
2. Volume Control for Line Outs: This control is completely independent from the Master volume on the front panel, allowing you to set your feed level to a mixing console. Use the Master volume on the front panel to adjust your stage level.
3. Ground Lift: Use this switch to eliminate hum or buzz that may exist if there is a ground loop created between stage gear and the PA system.
4. Extension Speakers Jacks: The DA200SB delivers the full 200 watts of power to the internal speakers. In addition, you may use these jacks with un-powered speakers to widen your stereo field for the midrange and high frequencies.

FEATURES



A Note on Stereo Imaging

The Simmons DA200SB is a true stereo drum amplifier. It will maintain the integrity of the stereo drum signal from input to speakers (including Line Outs and Extension Speaker Jacks). This provides a broad stereo field that positions your drums at their correct sonic locations, providing a realistic audio experience for you and your audience.

1. Soft Touch Knobs (adjustable with your drum stick)
2. Control Panel
3. Bluetooth Controls
4. Handle for Easy Transport
5. Protective, Long-Lasting Carpet Covering
6. High-Frequency Tweeter for Cymbal Clarity
7. Heavy-Duty Mid-Range Speakers for Punchy Mid-Frequency Response
8. Heavy-Weight Steel Grille
9. Slot-Port Enhanced Cabinet Efficiency and Bottom End Projection
10. Heavy-Duty 12" Down-Firing Sub-Woofer for Enhanced Bass Response (Internal)

SPECIFICATIONS

Output Power

50 W /8 ohms (x2) Tweeter Internal Speakers (Stereo)
 50 W /4 ohms (x2) Midrange Internal Speakers (Stereo)
 100 W /8 ohms (x1) Subwoofer Internal Speaker (Mono)
 500mW / 32 ohm Output to Headphones (Stereo)

Frequency Response

20Hz -20kHz Tailored for accurate acoustic response for electric drums

Total Harmonic Distortion

2% At full output
 0.1% Nominal

Hum and Noise

-60 dBV All controls down
 -55 dBV All controls halfway

Input Impedance

10K ohms All Inputs

Input Levels

-16 dBV DRUM INPUTS to achieve full output
 -20 dBV Input 2 to achieve full output
 -10dBV AUX In to achieve full output

External Outputs

(All measurements made at 1 kHz, EQ controls flat and volumes Max.)

Max External Speaker Output: 30 Watts (x2) External Speaker
 Jacks are wired in series with internal midrange speakers

XLR Balanced Line Outputs Adjustable from off (CCW) to 0 dBV (CW). Wiring follows IEC268 standard (pin 1 shield, 2+, and 3 -)

Tone Controls (EQ Centers)

50 Hz, 800 Hz, 10 kHz. 3 band, +/-12 dB

AC Power Requirements

400W At full output
 14W At idle

Dimensions English

16 1/2" Deep, 17 3/4" Wide, 20" Tall (including feet)

Dimensions Metric

420mm Deep, 450mm Wide, 482mm Tall (including feet)

Weight - Lbs/Metric

57 lbs./25.8 Kg.

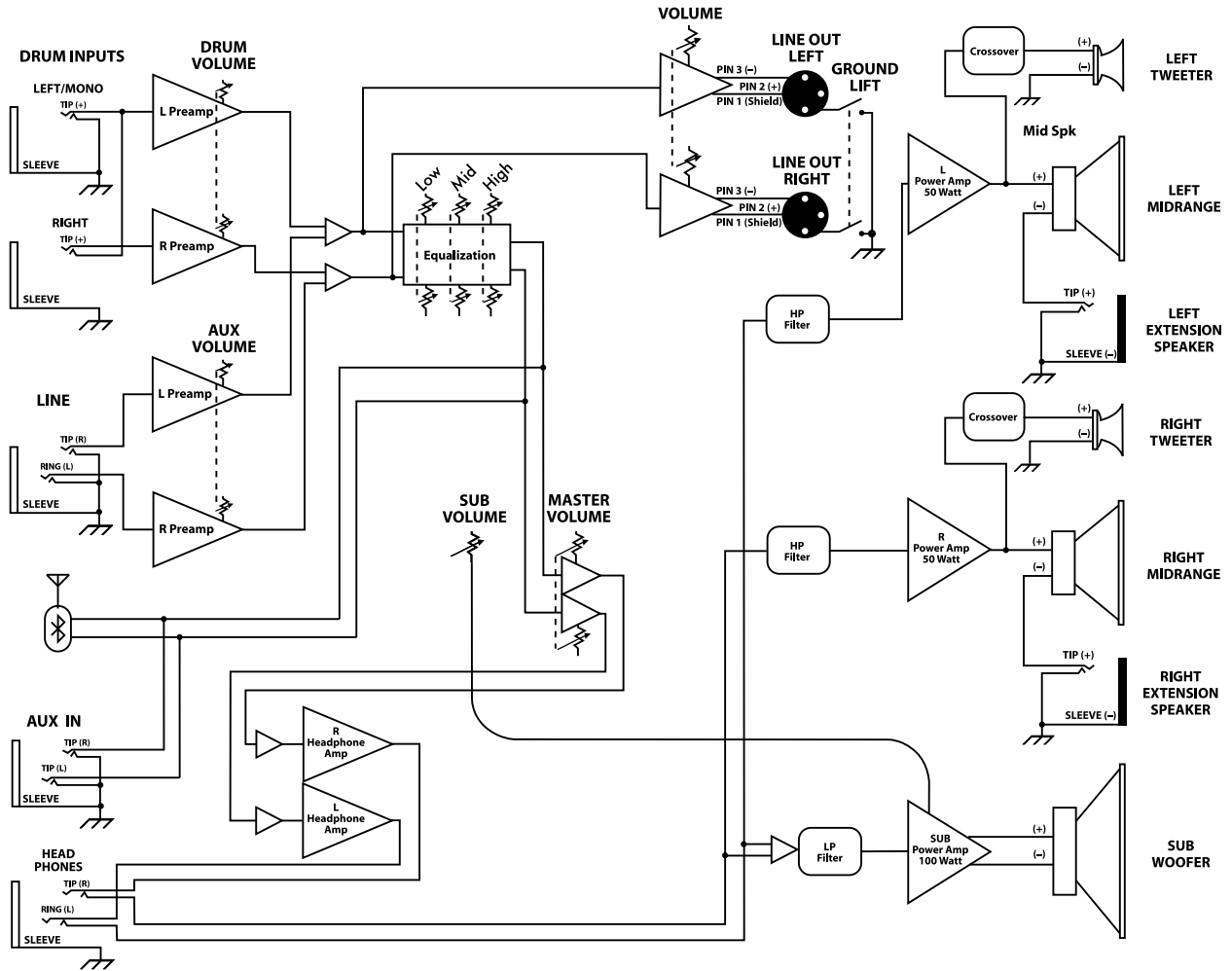
Speakers

2 x 12" (305mm) Woofer, Special design, 8 Ohms rated 150 Watts RMS
 2 x 6.5" (165 mm) Midrange, Special design, 4 Ohms rated 65 Watts RMS

RMS

2 x 2.5" (64 mm) Tweeter, Special design, 8 Ohms bullet horn rated 50 Watts

SIGNAL FLOW DIAGRAM



WARRANTY

Three (3) Years limited warranty

Subject to the limitations set forth below, Simmons® hereby represents and warrants that the components of this product shall be free from defects in workmanship and materials, including implied warranties of merchantability or fitness for a particular purpose, subject to normal use and service, for three (3) years to the original owner from the date of purchase.

Retailer and manufacturer shall not be liable for damages based upon inconvenience, loss of use of product, loss of time, interrupted operation or commercial loss or any other incidental or consequential damages including but not limited to lost profits, downtime, goodwill, damage to or replacement of equipment and property, and any costs of recovering, reprogramming, or reproducing any program or data stored in equipment that is used with Simmons® products. This guarantee gives you specific legal rights. You may have other legal rights which vary from state to state. Some states do not allow limitations on how long an implied warranty lasts, so the above limitation may not apply to you.

Simmons
P.O. Box 5111 Thousand Oaks, CA 91359-5111

All trademarks and registered trademarks mentioned herein are recognized as the property of their respective holders.

FCC STATEMENT

1. Caution: Changes or modifications to this unit not expressly approved by the party responsible for compliance could void the user's authority to operate the equipment.
2. Note: This equipment has been tested and found to comply with the limits for a Class B digital device, pursuant to Part 15 of the FCC Rules. These limits are designed to provide reasonable protection against harmful interference in a residential installation. This equipment generates, uses, and can radiate radio frequency energy and, if not installed and used in accordance with the instructions, may cause harmful interference to radio communications. However, there is no guarantee that interference will not occur in a particular installation. If this equipment does cause harmful interference to radio or television reception, which can be determined by turning the equipment off and on, the user is encouraged to try to correct the interference by one or more of the following measures:
 - Reorient or relocate the receiving antenna.
 - Increase the separation between the equipment and receiver.
 - Connect the equipment into an outlet on a different circuit.

**MISSING
OR
DAMAGED
PARTS?**

HAVE QUESTIONS?

**CALL
888-621-4008
TOLL FREE**

**— HAVE —
ASSEMBLY
QUESTIONS?**

OR VISIT OUR WEBSITE AT: SIMMONSDRUMS.NET

SIMMONS[®]

