

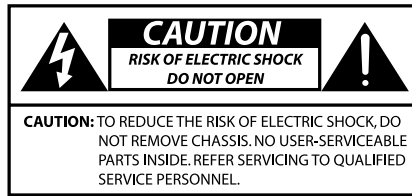
SIMMONS

DA25

25 WATT DRUM AMPLIFIER

OWNER'S MANUAL

SAFETY INSTRUCTIONS



AVIS: RISQUE DE CHOC ELECTRIQUE-NE PAS OUVRIR.



THE LIGHTNING FLASH WITH ARROWHEAD SYMBOL WITHIN AN EQUILATERAL TRIANGLE IS INTENDED TO ALERT THE USER TO THE PRESENCE OF UNINSULATED DANGEROUS VOLTAGE WITHIN THE PRODUCT'S ENCLOSURE THAT MAY BE OF SUFFICIENT MAGNITUDE TO CONSTITUTE A RISK OF ELECTRIC SHOCK TO PERSONS.



THE EXCLAMATION POINT WITHIN AN EQUILATERAL TRIANGLE IS INTENDED TO ALERT THE USER TO THE PRESENCE OF IMPORTANT OPERATING AND MAINTENANCE(SERVICING) INSTRUCTIONS IN THE LITERATURE ACCOMPANYING THE PRODUCT.



APPARATUS SHALL NOT BE EXPOSED TO DRIPPING OR SPLASHING AND THAT NO OBJECTS FILLED WITH LIQUIDS, SUCH AS VASES, SHALL BE PLACED ON THE APPARATUS.

1. Read these instructions.
2. Keep these instructions.
3. Heed all warnings.
4. Follow all instructions.
5. Do not use this apparatus near water.
6. Clean only with dry cloth.
7. Do not block any ventilation openings. Install in accordance with the manufacturer's instructions.
8. Do not install near the heat sources such as radiators, heat registers, stoves, or other apparatus (including amplifiers) that produce heat.
9. Do not defeat the safety purpose of the polarized or grounding-type plug. A polarized plug has two blades with one wider than the other. A grounding type plug has two blades and a third grounding prong. The wide blade or the third prong are provided for your safety, if the provided plug does not fit into your outlet, consult an electrician for replacement of the obsolete outlet.
10. Where the MAINS plug or an appliance coupler is used as the disconnect device, the disconnect device shall remain readily operable.
11. Protect the power cord from being walked on or pinched particularly at plugs convenience receptacles, and the point where they exit from the apparatus.

12. Only use attachments/accessories specified by the manufacturer.
13. Use only with the cart, stand, tripod, bracket, or table specified by the manufacturer, or sold with the apparatus. When a cart is used, use caution when moving the cart/ apparatus combination to avoid injury from tip-over (Figure1).



Figure 1

14. Unplug this apparatus during lightning storms or when unused for a long periods of time.
15. Refer all servicing to qualified service personnel. Servicing is required when the apparatus has been damaged in any way, such as power-supply cord or plug is damaged, liquid has been spilled or objects have fallen into the apparatus, the apparatus has been exposed to rain or moisture, does not operate normally, or has been dropped.

WARNING: To reduce the risk of fire or electric shock, do not expose this apparatus to rain or moisture.
CAUTION: Apparatus shall not be exposed to dripping or splashing and no objects filled with liquids, such as vases, shall be placed on the apparatus.

TABLE OF CONTENTS

| | |
|------------------------------------|---|
| SAFETY INSTRUCTIONS | 2 |
| WELCOME AND CONGRATULATIONS! | 4 |
| FRONT PANEL | 5 |
| FEATURES | 6 |
| SPECIFICATIONS | 7 |
| SIGNAL FLOW DIAGRAM | 7 |
| WARRANTY | 8 |

WELCOME AND CONGRATULATIONS!

...on your purchase of the Simmons DA25 Electronic Drum Amplifier. To get the most enjoyment, we recommend that you review this manual at least once, then refer back to it often to learn more about specific functions.

TAKING CARE OF YOUR DIGITAL DRUM AMPLIFIER

Location

- To avoid deformation, discoloration, or more serious damage, do not expose the unit to direct sunlight, high temperature sources, or excessive humidity.

Power Supply

- Turn the power switch off when the DA25 is not in use.
- The AC cable should be unplugged from the AC outlet if the DA25 will not be used for an extended period of time.
- Avoid plugging the AC cable into an AC outlet that is also powering high-consumption appliances such as electric heaters or televisions.
- To avoid damage, turn off the DA25's power switch and all related devices prior to connecting or disconnecting cables.

Handling and Transport

- Never apply excessive force to controls, connectors, and other parts.
- Unplug cables by gripping the plug firmly. Do not pull on the cable.
- Physical shocks caused by dropping or bumping can result in serious damage.

Cleaning

- Clean with a dry, soft cloth.
- A slightly damp cloth may be used to remove stubborn grime and dirt.
- Never use cleaners such as alcohol or thinner.

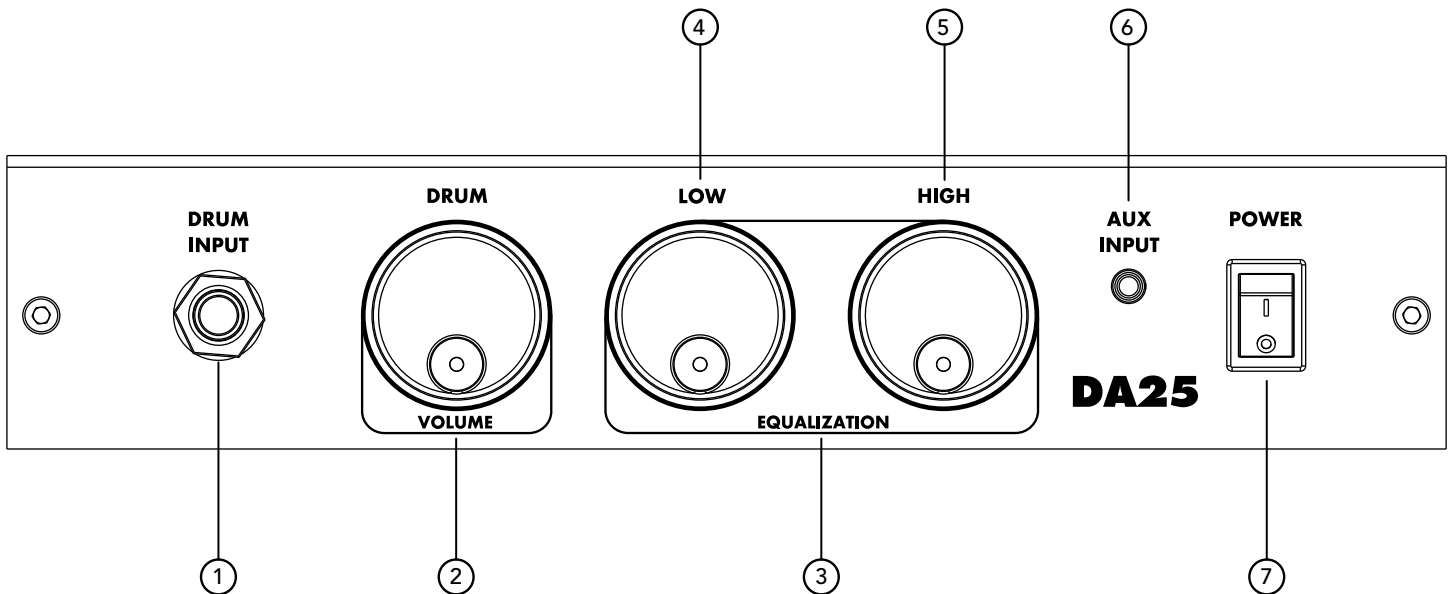
Electrical Interference

- The DA25 contains electronic circuitry that may cause interference if placed too close to radio or television receivers. If this occurs, move the DA25 further away from the affected equipment.

Service and Modification

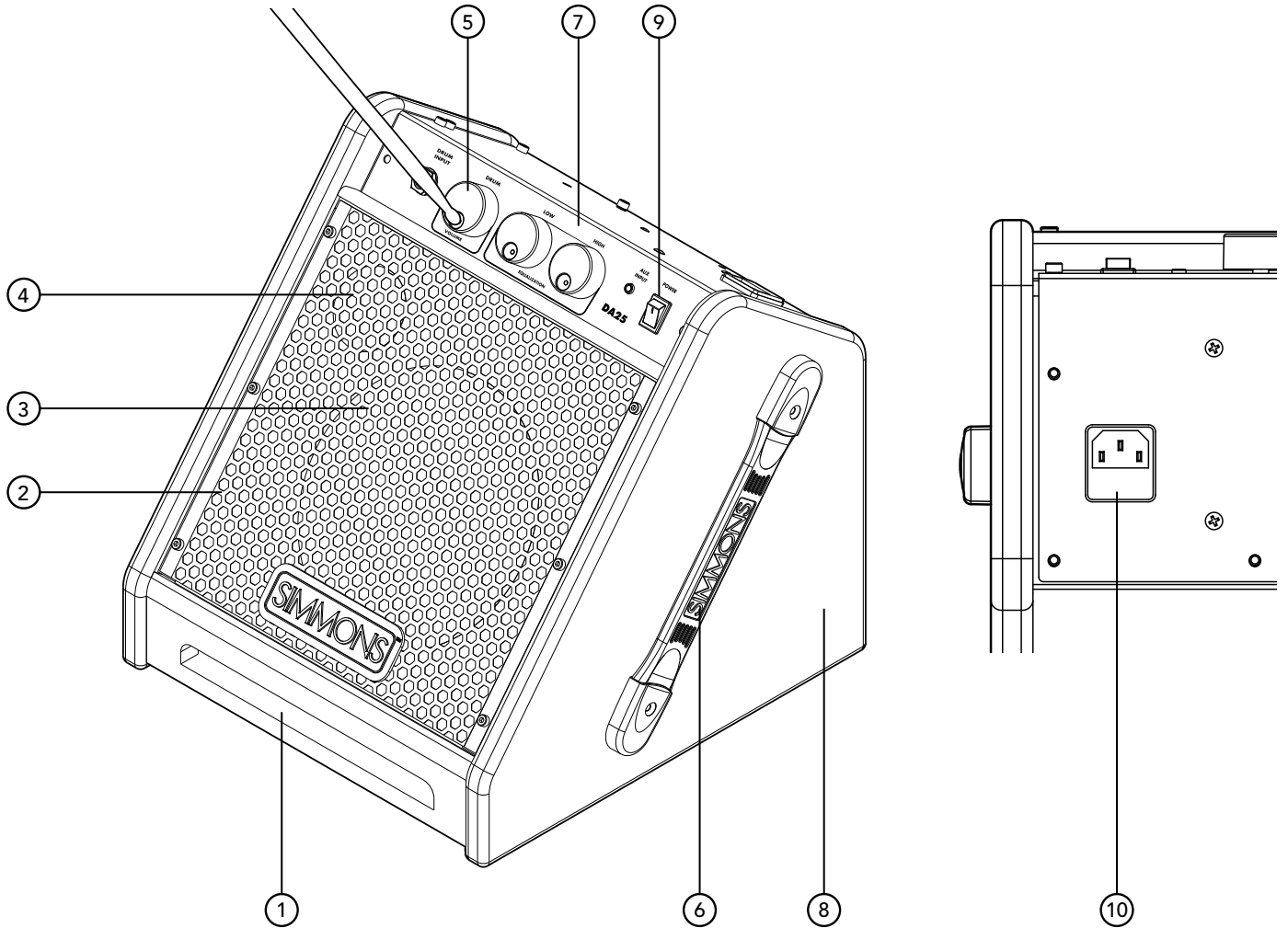
- There are no user serviceable parts in the DA25.
- Do not attempt to open the DA25 or make any change to circuits or parts. This will void the warranty.

FRONT PANEL



1. Drum Input: Plug your drum module into this input jack using a 1/4" instrument cable.
2. Drum Volume: This controls the volume level of the Drum Inputs to the power amplifier.
3. Equalization Section: These control the overall tone of the DA25 drum amplifier.
4. Low: This controls frequencies centered at 60Hz with a +/-12 dB sweep.
5. High: This controls frequencies centered at 10kHz with a +/-12 dB sweep.
6. Aux Input: This is a 1/8" stereo line input. Use the volume control on your external device to control the audio level.
7. Power Switch: The power switch has a built-in LED to ensure that power is getting to the speaker.

FEATURES



1. Slot-Port for Enhanced Cabinet Efficiency & Bottom End Projection
2. Heavy-Weight Steel Grill
3. Heavy-Duty Woofer for Enhanced Bass Response
4. High-Frequency Tweeter for Cymbal Clarity
5. Soft Touch Knobs (adjustable with your drum stick)
6. Carrying Handle for Easy Transport
7. Control Panel
8. Protective, Long-Lasting Carpet Covering
9. Power Switch
10. Fuse Holder & Power Cord Socket

SPECIFICATIONS

Output Power
 25 W / 4 ohm Output to speakers
 500mW / 32 ohm Output to headphones

Dimensions English
 13.1" Deep, 12.3" Wide,
 12.8" Tall (including feet)

Frequency Response
 20 -20kHz Actual response is tailored for accurate
 acoustic reproduction of individual sounds

Dimensions Metric
 33.2cm Deep, 31.3cm Wide,
 32.6cm Tall (including feet)

Total Harmonic Distortion
 2% At full output
 0.1% Nominal

Weight - Lbs/Metric
 19.8 lbs/ 9 Kg

Hum and Noise
 -55 dBVAll controls down
 -50 dBVAll controls at 12 o'clock

**Speakers 1 x 8" (203mm) Woofer,
 1 x 2" (51mm) Tweeter**

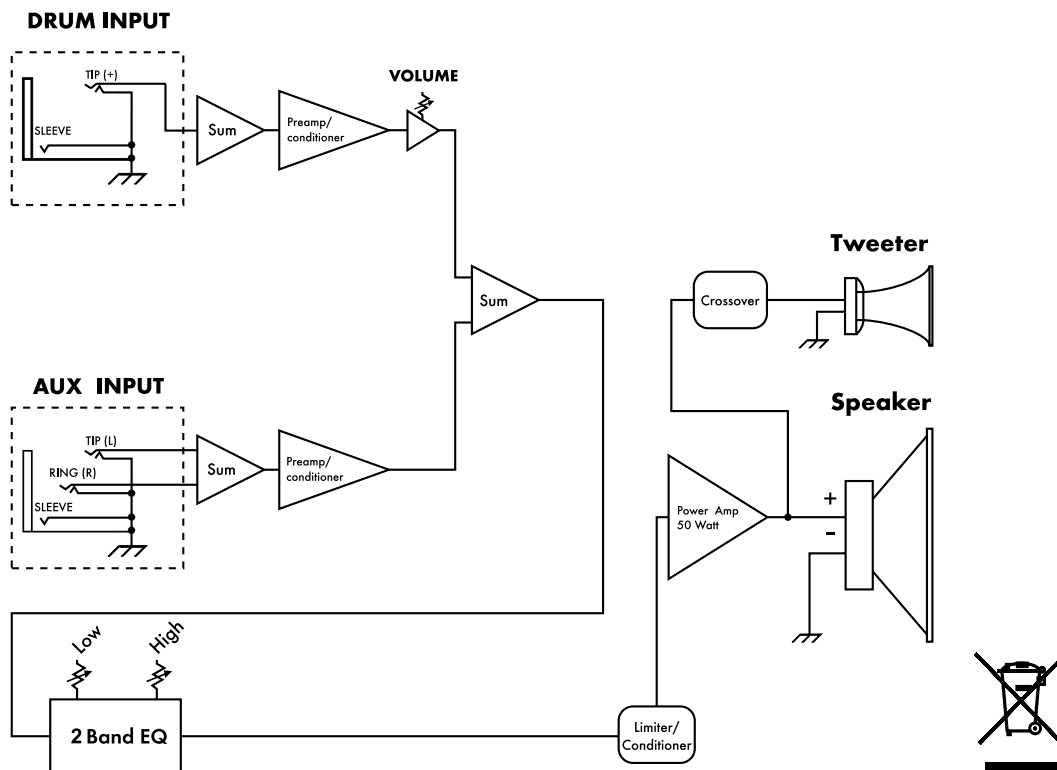
Input Impedance
 10K ohms All Inputs

Input Impedance Input Levels
 (All measurements made at 1 kHz, EQ controls flat and volumes Max.)
 -10 dBV DRUM INPUTS to achieve full output
 -10 dBV AUX to achieve full output

Tone controls (EQ Centers)
 60Hz, 10kHz 2-band, ±12 dBV

AC Power Requirements
 30W At full output
 7W At idle

SIGNAL FLOW DIAGRAM



WARRANTY

Two (2) Years limited warranty

Subject to the limitations set forth below, Simmons® hereby represents and warrants that the components of this product shall be free from defects in workmanship and materials, including implied warranties of merchantability or fitness for a particular purpose, subject to normal use and service, for two (2) years to the original owner from the date of purchase.

Retailer and manufacturer shall not be liable for damages based upon inconvenience, loss of use of product, loss of time, interrupted operation or commercial loss or any other incidental or consequential damages including but not limited to lost profits, downtime, goodwill, damage to or replacement of equipment and property, and any costs of recovering, reprogramming, or reproducing any program or data stored in equipment that is used with Simmons® products. This guarantee gives you specific legal rights. You may have other legal rights which vary from state to state. Some states do not allow limitations on how long an implied warranty lasts, so the above limitation may not apply to you.

Simmons
P.O. Box 5111 Thousand Oaks, CA 91359-5111

All trademarks and registered trademarks mentioned herein are recognized as the property of their respective holders.

FCC STATEMENT

1. Caution: Changes or modifications to this unit not expressly approved by the party responsible for compliance could void the user's authority to operate the equipment.
2. Note: This equipment has been tested and found to comply with the limits for a Class B digital device, pursuant to Part 15 of the FCC Rules. These limits are designed to provide reasonable protection against harmful interference in a residential installation. This equipment generates, uses, and can radiate radio frequency energy and, if not installed and used in accordance with the instructions, may cause harmful interference to radio communications. However, there is no guarantee that interference will not occur in a particular installation. If this equipment does cause harmful interference to radio or television reception, which can be determined by turning the equipment off and on, the user is encouraged to try to correct the interference by one or more of the following measures:
 - Reorient or relocate the receiving antenna.
 - Increase the separation between the equipment and receiver.
 - Connect the equipment into an outlet on a different circuit.

**MISSING
—OR—
DAMAGED
PARTS?**

HAVE QUESTIONS?

**CALL
888-621-4008
TOLL FREE**

**—HAVE—
ASSEMBLY
QUESTIONS?**

OR VISIT OUR WEBSITE AT: SIMMONSDRUMS.NET