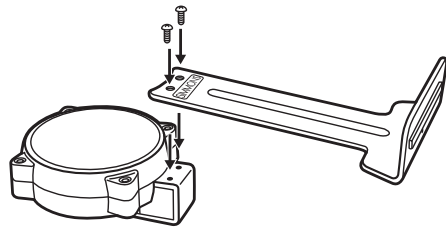
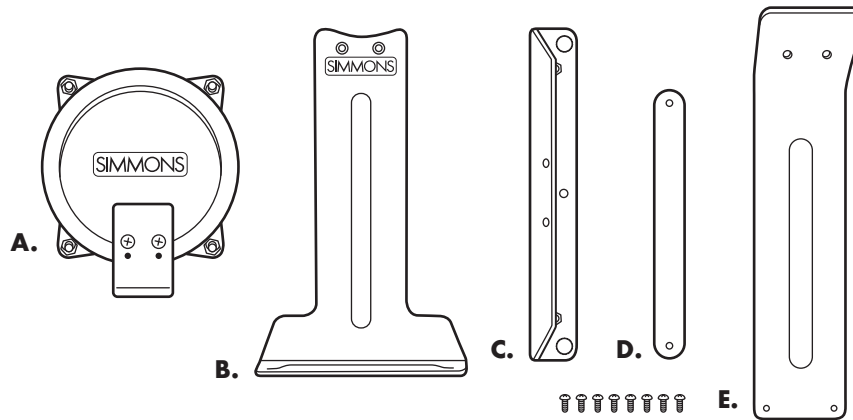
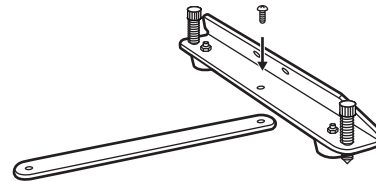


Thank you for purchasing the Simmons KP1 kick drum pad. These instructions will walk you through assembly and installation of your new electronic drum pad.

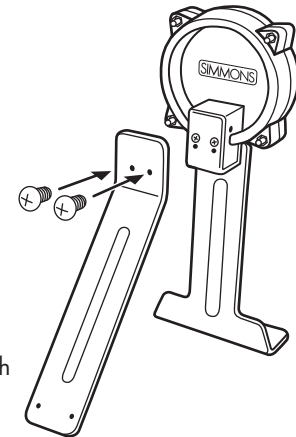
1. Remove all of the components from the packaging.



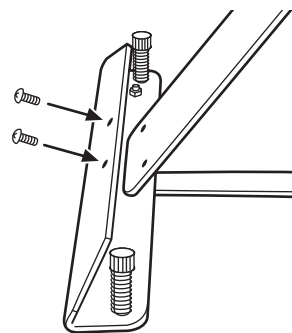
2. Find the circular pad **A** and the back brace **B**. The back brace has an L-shaped foot on the bottom and the Simmons logo on the side that faces you. Use two screws to attach the back brace to the drum pad, with the foot facing the front of the pad.



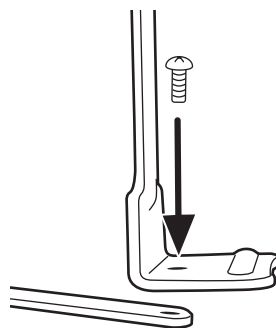
3. Locate the foot brace **C** and the small cross brace **D**. The cross brace goes under the foot brace, held by one screw facing back.



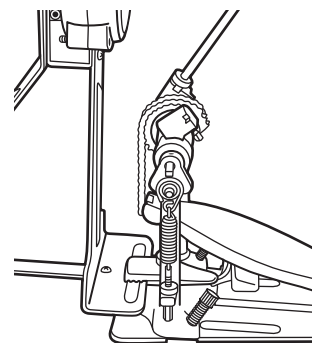
4. Attach the top section of the front brace **E** to the back of the drum pad with two screws.



5. The front brace **E** attaches to the foot brace **C** using two screws. The front brace goes on the inside/bottom angle of the foot brace.

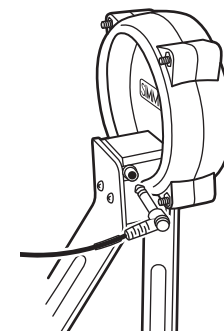


6. Attach the last screw through the bottom of the back brace into the small cross-bar underneath.



7. Attach your beater pedal to the bottom of the back brace.

8. Connect a cable from the drum module to the side of the beater pad.



9. You may want to adjust the sensitivity and curve settings on your drum module. On the SD550, try setting Sensitivity to "10" and Curve to "Normal."