

SIMMONS

DA50B

50 WATT DRUM AMPLIFIER

OWNER'S MANUAL

TABLE OF CONTENTS

WELCOME AND CONGRATULATIONS! 3
FRONT PANEL 4
FEATURES 5
SPECIFICATIONS 6
SIGNAL FLOW DIAGRAM 6
WARRANTY 7

WELCOME AND CONGRATULATIONS!

... on your purchase of the Simmons DA50B Electronic Drum Amplifier. To get the most enjoyment, we recommend that you review this manual at least once, then refer back to it often to learn more about specific functions.

TAKING CARE OF YOUR DIGITAL DRUM AMPLIFIER

Location

- To avoid deformation, discoloration, or more serious damage, do not expose the unit to direct sunlight, high temperature sources, or excessive humidity.

Power Supply

- Turn the power switch off when the DA50B is not in use.
- The AC adapter should be unplugged from the AC outlet if the DA50B will not be used for an extended period of time.
- Avoid plugging the AC adapter into an AC outlet that is also powering high-consumption appliances such as electric heaters or televisions. Also avoid using multi plug adapters since these can reduce sound quality, cause operation errors, and result in possible damage.
- To avoid damage, turn off the DA50B's power switch and all related devices prior to connecting or disconnecting cables.

Handling and Transport

- Never apply excessive force to controls, connectors, and other parts.
- Unplug cables by gripping the plug firmly. Do not pull on the cable.
- Physical shocks caused by dropping or bumping can result in serious damage.

Cleaning

- Clean with a dry, soft cloth.
- A slightly damp cloth may be used to remove stubborn grime and dirt.
- Never use cleaners such as alcohol or thinner.

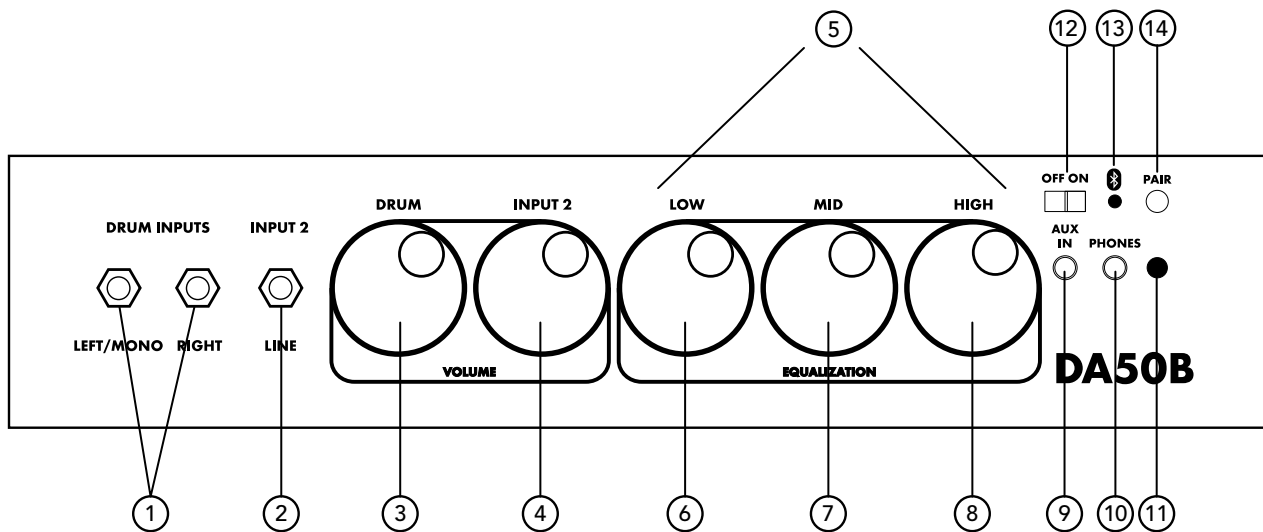
Electrical Interference

- The DA50B contains electronic circuitry that may cause interference if placed too close to radio or television receivers. If this occurs, move the DA50B further away from the affected equipment.

Service and Modification

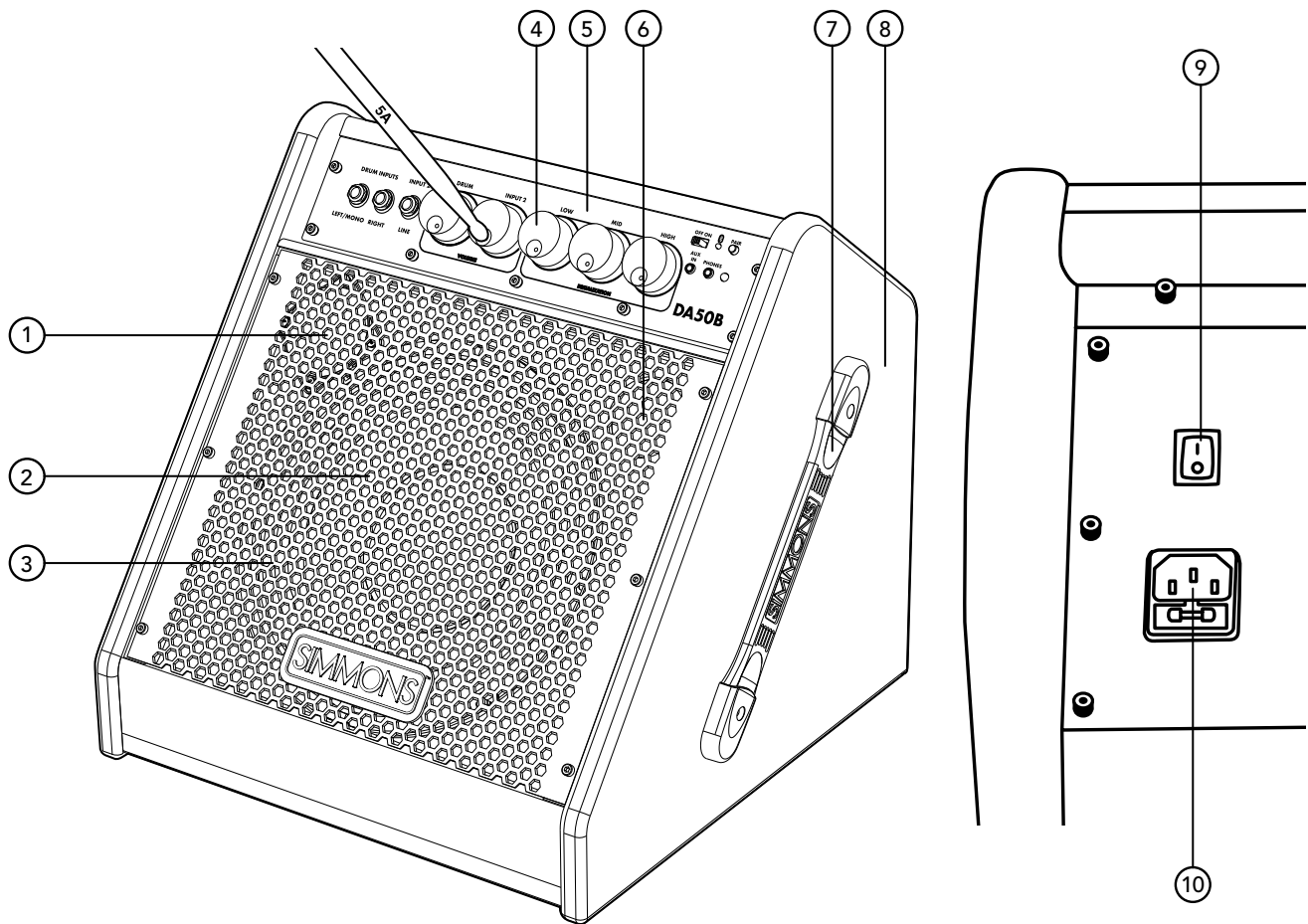
- There are no user serviceable parts in the DA50B.
- Do not attempt to open the DA50B or make any change to circuits or parts. This will void the warranty.

FRONT PANEL



1. Drum Inputs: These are 1/4" input jacks (left and right). When using a mono signal, plug into the left/mono jack.
2. Input 2: This jack is used for connecting any pre-EQ source such as a click track. The volume of Input 2 is controlled by the Input 2 Volume control.
3. Drum Volume: This controls the volume level of the Drum Inputs to the power amplifier.
4. Input 2 Volume: This controls the volume level of Input 2 only.
5. Equalization Section: These control the overall tone of the DA50B drum amplifier.
6. Low: This controls frequencies centered at 60Hz with a +/-12 dB sweep.
7. Mid: This controls frequencies centered at 800Hz with a +/-12 dB sweep.
8. High: This controls frequencies centered at 10 kHz with a +/-12 dB sweep.
9. Aux In: This is a 1/8" stereo line input. It bypasses the drum amplifier's EQ tone controls and feeds straight into the power amplifier. Use the volume and tone controls on your external device to control the audio signal.
10. Headphone Jack: This is a 1/8" stereo output jack for silent practice. When used, it turns off the internal speaker. It combines all inputs from your drums: Input 2, Aux Input and Bluetooth Input.
11. Power "On" Indicator
12. Bluetooth On/Off Switch
13. Bluetooth Indicator: Fast Blink- Amp is powered on, Bluetooth switch is ON and no Bluetooth source device is connected. Slow Blink- Ready to pair, after pair button is held. Solid Light- Bluetooth source is connected.
14. Bluetooth Pair Button: Press and hold this button to pair a new device. Open Bluetooth preferences on your device and select "Simmons" to pair.

FEATURES



1. High-Frequency Tweeter for Cymbal Clarity
2. Heavy-Duty Woofer for Enhanced Bass Response
3. Heavy-Weight Steel Grill
4. Soft Touch Knobs (adjustable with your drum stick)
5. Control Panel
6. Ported Wooden Cabinet for Powerful Bottom End Projection
7. Handle for Easy Transport
8. Protective, Long-Lasting Carpet Covering
9. Power Switch
10. Fuse Holder & Power Cord Socket

SPECIFICATIONS

Output Power
 50 W / 8 ohm Output to speakers
 500mW / 32 ohm Output to headphones

Frequency Response
 20 -20kHz Actual response is tailored for accurate acoustic reproduction of individual sounds

Total Harmonic Distortion
 2% At full output
 0.1% Nominal

Hum and Noise
 -60 dBV All controls down
 -55 dBV All controls at 12 o'clock

Input Impedance
 10K ohms All Inputs

Input Impedance Input Levels
 (All measurements made at 1 kHz, EQ controls flat and volumes Max.)
 -10 dBV DRUM INPUTS to achieve full output
 -10 dBV INPUT 2 to achieve full output
 0 dBV LINE IN to achieve full output

Tone Controls (EQ Centers)
 60Hz, 800 Hz, 10kHz 3-band, ±12 dBV

AC Power Requirements
 80W At full output
 7W At idle

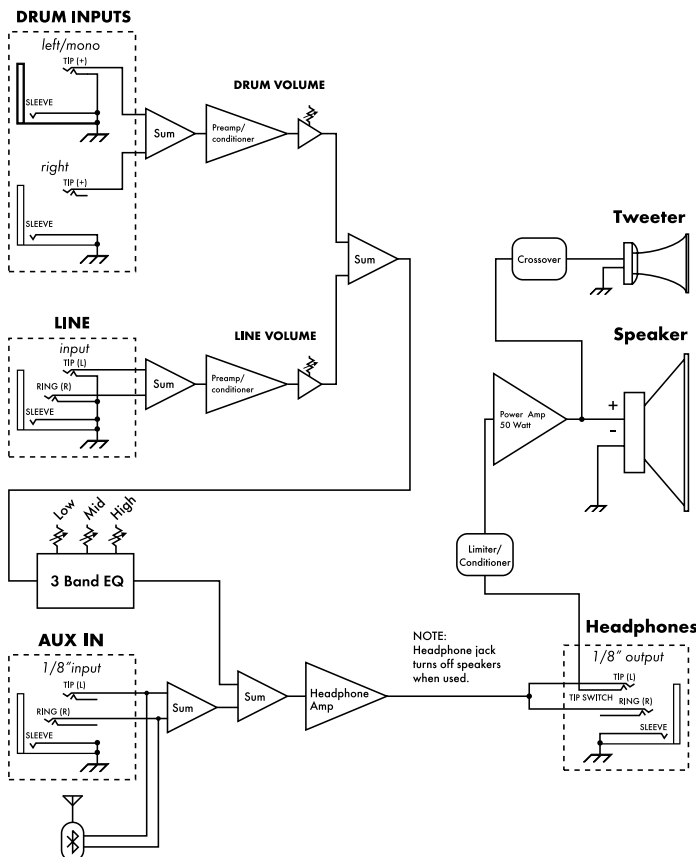
Dimensions English
 15.5" Deep, 15.5" Wide,
 16" Tall (including feet)

Dimensions Metric
 39.37cm Deep, 39.37cm Wide,
 40.64cm Tall (including feet)

Weight - Lbs/Metric
 33 lbs/ 15 Kg

Speakers 1 x 10" (250mm) Woofer,
1 x 2" (51mm) Tweeter

SIGNAL FLOW DIAGRAM



WARRANTY

Three (3) Years limited warranty

Subject to the limitations set forth below, Simmons® hereby represents and warrants that the components of this product shall be free from defects in workmanship and materials, including implied warranties of merchantability or fitness for a particular purpose, subject to normal use and service, for three (3) years to the original owner from the date of purchase.

Retailer and manufacturer shall not be liable for damages based upon inconvenience, loss of use of product, loss of time, interrupted operation or commercial loss or any other incidental or consequential damages including but not limited to lost profits, downtime, goodwill, damage to or replacement of equipment and property, and any costs of recovering, reprogramming, or reproducing any program or data stored in equipment that is used with Simmons® products. This guarantee gives you specific legal rights. You may have other legal rights which vary from state to state. Some states do not allow limitations on how long an implied warranty lasts, so the above limitation may not apply to you.

Simmons

P.O. Box 5111 Thousand Oaks, CA 91359-5111

All trademarks and registered trademarks mentioned herein are recognized as the property of their respective holders.

FCC STATEMENT

1. Caution: Changes or modifications to this unit not expressly approved by the party responsible for compliance could void the user's authority to operate the equipment.
2. Note: This equipment has been tested and found to comply with the limits for a Class B digital device, pursuant to Part 15 of the FCC Rules. These limits are designed to provide reasonable protection against harmful interference in a residential installation. This equipment generates, uses, and can radiate radio frequency energy and, if not installed and used in accordance with the instructions, may cause harmful interference to radio communications. However, there is no guarantee that interference will not occur in a particular installation. If this equipment does cause harmful interference to radio or television reception, which can be determined by turning the equipment off and on, the user is encouraged to try to correct the interference by one or more of the following measures:
 - Reorient or relocate the receiving antenna.
 - Increase the separation between the equipment and receiver.
 - Connect the equipment into an outlet on a different circuit.

**MISSING
OR
DAMAGED
PARTS?**

HAVE QUESTIONS?

**CALL
888-621-4008
TOLL FREE**

**— HAVE —
ASSEMBLY
QUESTIONS?**

OR VISIT OUR WEBSITE AT: SIMMONSDRUMS.NET

SIMMONS[®]

